

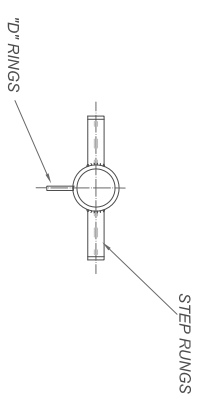
GENERAL NOTES.

1. DO NOT SCALE THIS DRAWING.
2. ALL DIMENSIONS ARE IN mm UNLESS OTHERWISE SPECIFIED
3. THIS DRAWING TO BE READ IN CONJUNCTION WITH DRG Nos 12599 /L/100 & 109.

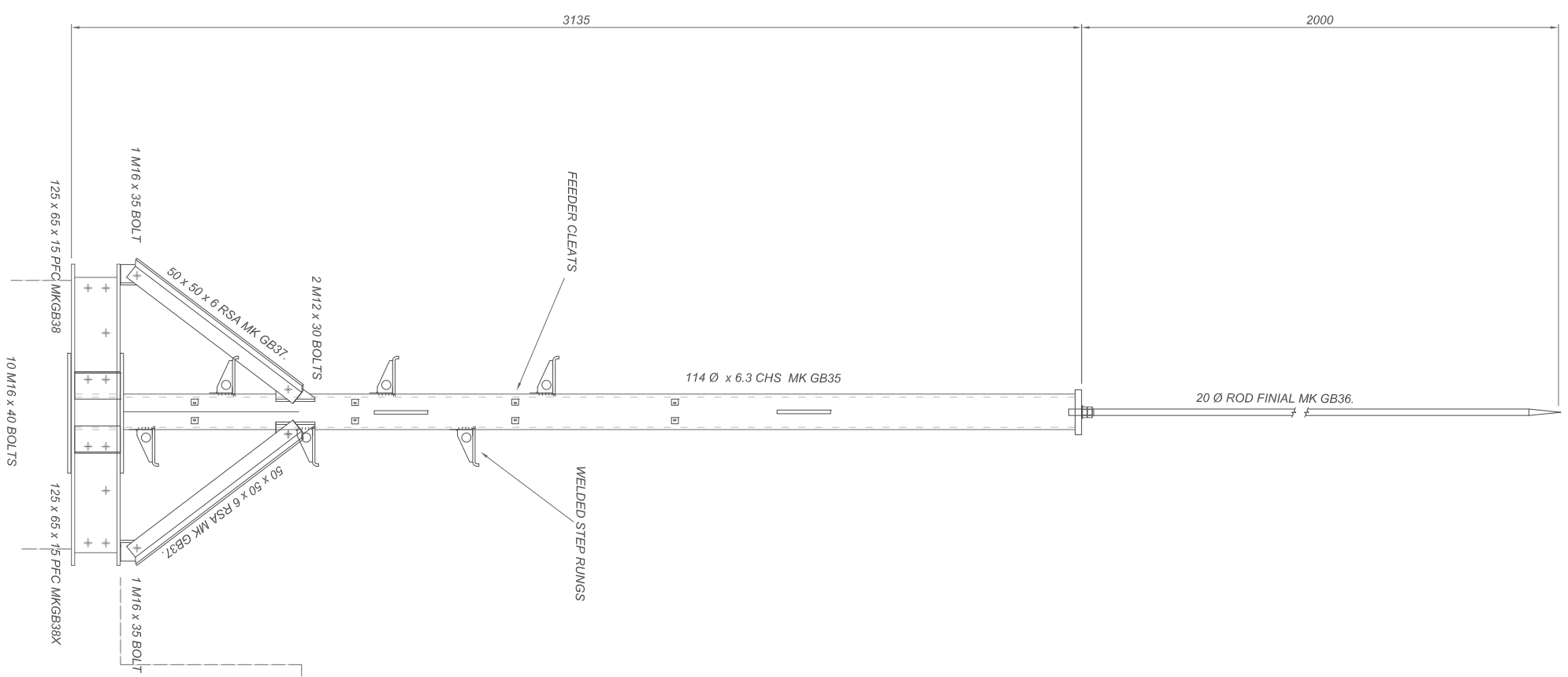
STEELWORK:

- 4) ALL MATERIAL TO BE GRADE S275JO TO BS EN 10025.
- 5) THERMAL CUTTING OF HOLES NOT TO BE USED.
- 6) ALL WELDING TO BE CARRIED OUT IN ACCORDANCE WITH BS EN1011-2: 2001 AND BS EN 288 BY AN APPROVED WELDER CONFORMING TO THE REQUIREMENTS OF BS EN 287, PART 1
- 7) HOLES TO BE 1.5mm LARGER THAN BOLTS.
- 8) ALL STEEL AND BOLTS TO BE HOT DIPPED GALVANISED TO BS EN ISO 1461
- 9) ALL BOLTS TO BE GRADE 8.8 IN COMPLIANCE WITH BS 4190 AND SUPPLIED WITH RECTANGULAR SECTION SINGLE COIL SPRING WASHERS TO BS 4320 UNLESS NOTED OTHERWISE.
- 10) REFER TO MATERIAL LIST 12599/MGB 2 AND BOLT LIST 12599/BGB1.

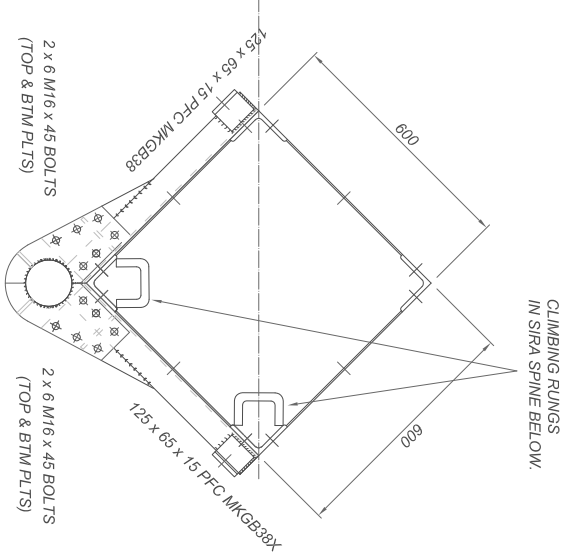
BOLT LIST	
M12 x 30	4 No
M16 x 40	10 No
M16 x 45	24 No



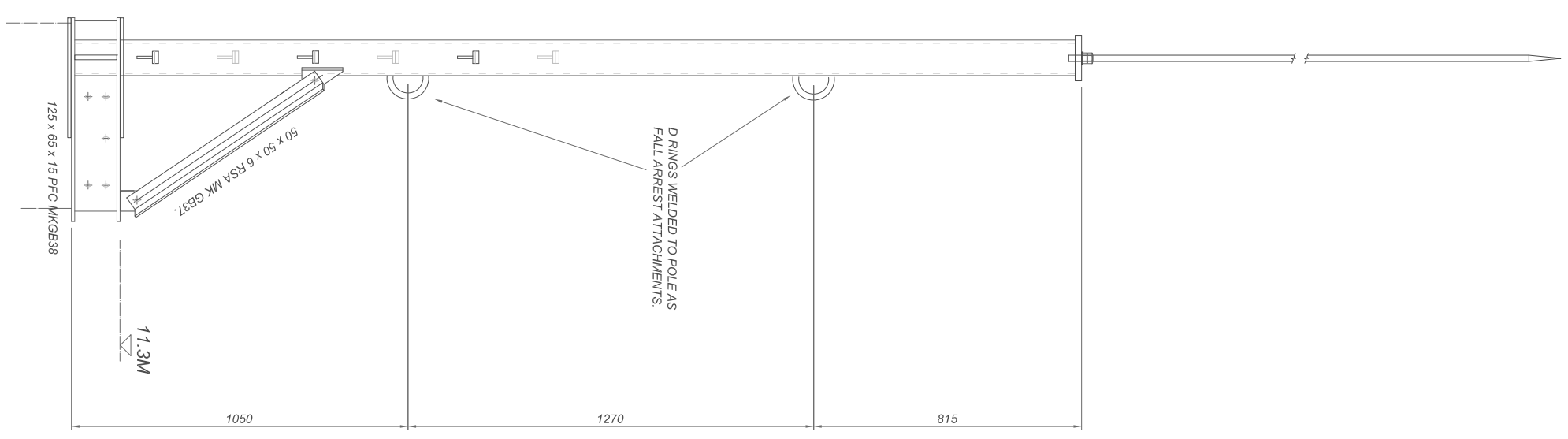
PLAN ON POLE



ELEVATION ON SPINE DIAGONAL



PLAN AT 11.3M LEVEL



ELEVATION ON SPINE SIDE

Rev	Date	By	MM	MM	MM
A	15/08/12	MM	CONSTRUCTION ISSUE	MM	MM
	25/07/12	MM	PRELIMINARY ISSUE	MM	MM

MM Structures
 Telecommunication Design & Management

Tempest Mews, Broughton Hall Business Park, Broughton,
 Skipton, North Yorkshire, BD23 3AE
 Telephone : +44 (0) 1756 700 942

Project		ARCIVA : GIBRALTAR DTT & DAB TOWER	
Title		GENERAL ARRANGEMENT TOP ANTENNA POLE	
Scale	N T S	Drawn by	RC
Date	20.07.12	Checked by	MDW
		12599/L/108A	